

PUSH IN SENSOR

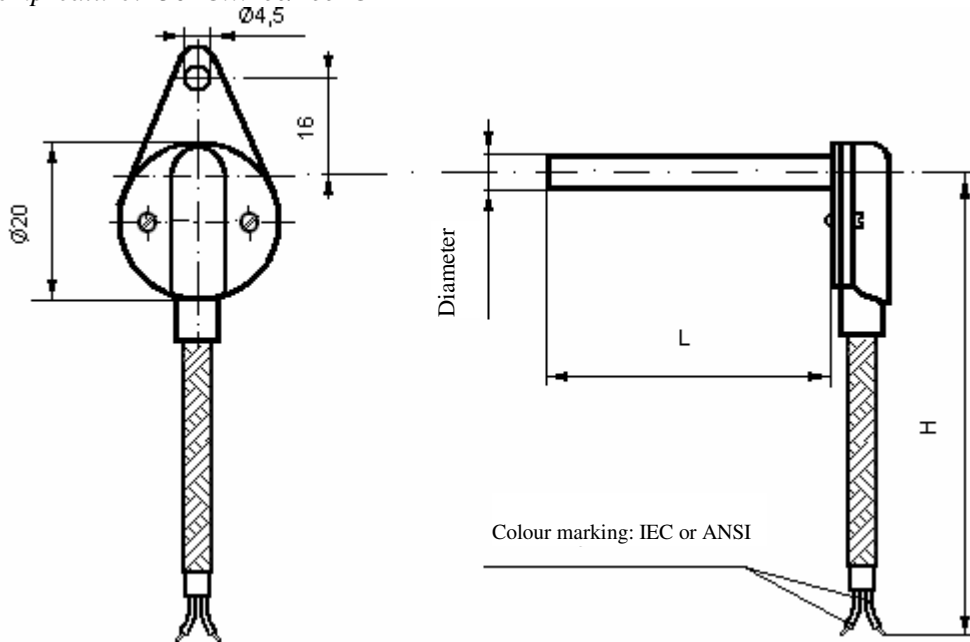


NZG E : resistance type

Description:

Push in resistance temperature sensor, you can mount with screw.

Temperature: -50 °C...200/400 °C



Rendelési kód:

MEASURING ELEMENT:

Resistance type: Pt100
Other

Class of accuracy: A
B
Other

Construction: Single
Double
Triple

Connection: 2 wire
3 wire
4 wire

THERMOWELL:

Material of thermowell: 1.4301
1.4571
Other

Diameter of thermowell [mm]:
4 5 6 8 Other(9)

Length of thermowell (L) mm:

WIRE:

Wire exterior material:

PVC 105 °C	Silicon 180 °C	Teflon 250 °C	Fibergl. 400 °C	Other
1	2	3	4	9

Shield of wire

None 0 Ext. 1 Int. 2

Length of wire (H) mm:

N Z G E

1
9

A
B
9

1
2
3

2
3
4

1
2
9

Naturally, we can differ from the above construction.

Please, fill in the ordering code and send your enquiry (order) to us.

fax: 00-36-1-282-6135 , e-mail: ugyfelsz@rhodium.hu , We will discuss the details.

If you have question, please call: 00-36-1-282-5689 and 00-36-1-282-8308, Our customer service is available.